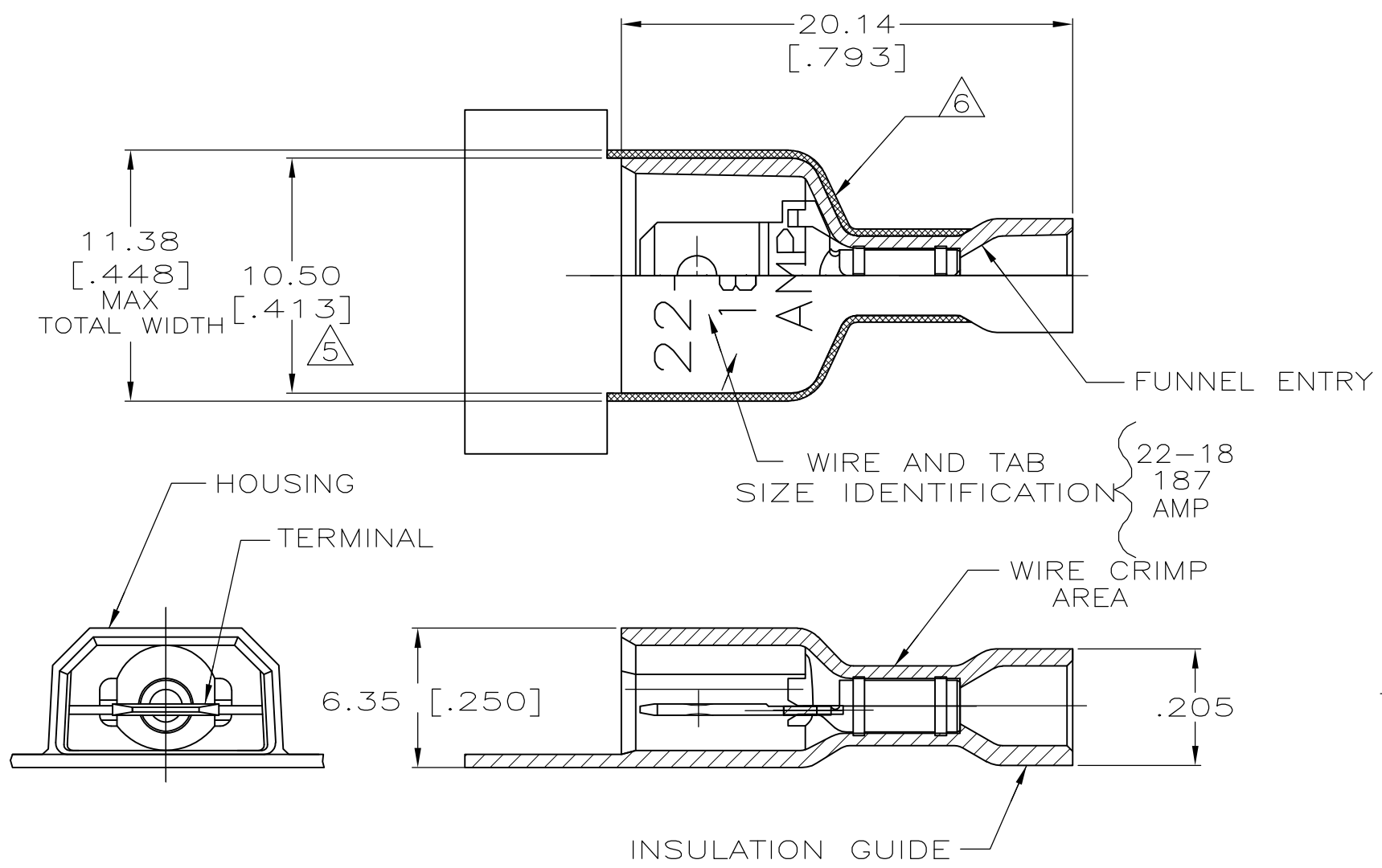


LOC	DIST	REVISIONS					
AF	50	P	LTR	DESCRIPTION	DATE	DWN	APVD
		D		REVISED PER ECR-12-005303	24JUL12	KH	KR



- 1 TAB DIMENSIONS  $.020 \pm .001 \times .187$
- 2 WIRE STRIP LENGTH  $.281$
- 3 INSULATION SIZE  $.135$  MAX DIA
- △4 CONTINUOUS STRIP ON REELS
- △5 DIMENSION DOES NOT INCLUDE TRIM BURR
- 6  $.015$  MAX CARRIER TRIM BURR PER SIDE IS ALLOWABLE IN THE SHADED AREA

HOUSING: NYLON, COLOR-RED TRANSLUCENT TAB: #3 HARD BRASS, TIN	2-521102-2
MATERIAL & FINISH	PART NO

THIS DRAWING IS A CONTROLLED DOCUMENT.		DWN	JR RUTH	9/25/95	TE Connectivity TAB ASSEMBLY, ULTRA-FAST, 4.75 [0.187] SERIES, 22-18 AWG
DIMENSIONS: mm [INCHES]		CHK	MS FEHER	9/25/95	
TOLERANCES UNLESS OTHERWISE SPECIFIED:		APVD	J WORMAN	9/25/95	
0 PLC ± - 1 PLC ± - 2 PLC ± 0.38 [0.015] 3 PLC ± - 4 PLC ANGLES ± -		PRODUCT SPEC	108-2017	NAME	
MATERIAL	SEE TABLE	FINISH	SEE TABLE	APPLICATION SPEC	114-2123
		WEIGHT	-	SIZE	A3
		CUSTOMER DRAWING		CAGE CODE	00779
				DRAWING NO	C-521102
				RESTRICTED TO	-
		SCALE	4:1	SHEET	1 OF 1
				REV	D