

# Spring Loaded Contact Connectors

## Single Spring Loaded Contacts – Surface Mount

- ❖ Also referred to as Pogo pins, used for individual contacts or irregular layout requirements.
- ❖ Available in Tape and Reeled packaging format for automated assembly methods.
- ❖ Gold finish for improved wear resistance.
- ❖ Additional height options shown on following page.



### ❖ Packaging

#### Reel quantity

P70-5000045R: 2,000 on a Ø330mm reel  
 P70-7000045: Loose  
 P70-5100045: Loose

### ❖ Electrical

#### Current

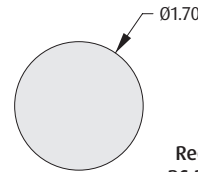
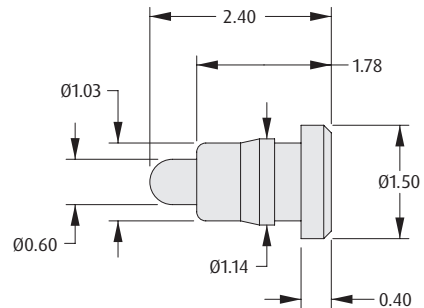
P70-5000045R: 1A  
 P70-7000045: 2A  
 P70-5100045: 2A

### ❖ Mechanical

#### Spring force at working height

P70-5000045R: 0.68N ±0.19N at 1.90mm working height  
 P70-7000045: 0.68N ±0.19N at 2.00mm working height  
 P70-5100045: 0.98N ±0.29N at 4.00mm working height

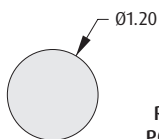
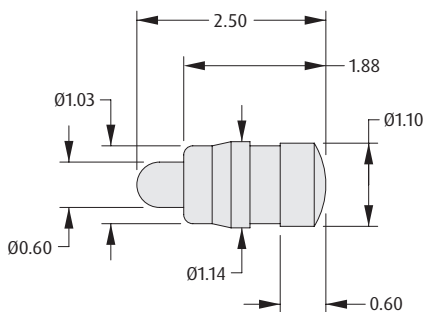
### 2.4mm FREE HEIGHT



Recommended  
PC Board Pattern

**ORDER CODE**  
**P70-5000045R**

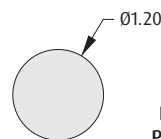
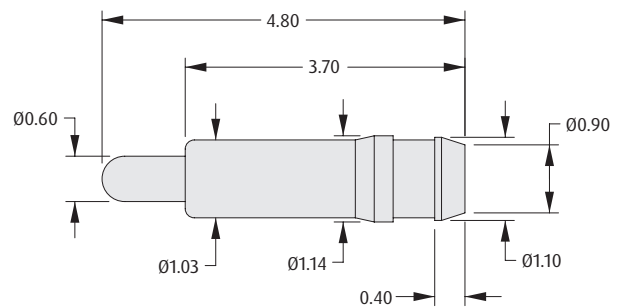
### 2.5mm FREE HEIGHT



Recommended  
PC Board Pattern

**ORDER CODE**  
**P70-7000045**

### 4.8mm FREE HEIGHT



Recommended  
PC Board Pattern

**ORDER CODE**  
**P70-5100045**

All dimensions in mm.